

Angular Contact Ball Bearings

Bearing No. : **NACHI 7212BDB**

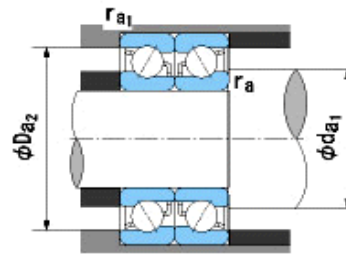
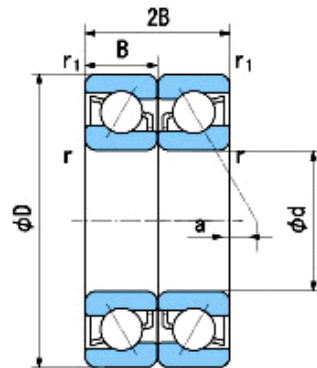
■ Bearing Type

■ Clearance

■ Tolerance Class

Dimensions

d = 60 $\begin{matrix} 0 \\ -0.015 \end{matrix}$
 D = 110 $\begin{matrix} 0 \\ -0.015 \end{matrix}$
 B = 22 $\begin{matrix} 0 \\ 0.000 \end{matrix}$
 r = 1.5~2.3
 (Radial Direction)
 r = 1.5~4
 (Axial Direction)
 r1 = 1~1.9
 (Radial Direction)
 r1 = 1~3
 (Axial Direction)
 a = 24.7



Dimensions

da1(min) = 69
 da2(min) = 65
 Da1(max) = 101
 Da2(max) = 104.6
 ra(max) = 1.5
 ra1(max) = 1
 Mass = 1.64 kg

Basic Dynamic Load Rating Cr : **94,000** N
 Basic Static Load Rating Cor : **92,000** N
 Limiting Speed ;
 Grease Lubrication : **3,800** min⁻¹
 Oil Lubrication : **5,000** min⁻¹

	INNER RING	OUTER RING
O.D.Surface Runout with Side :		-
Axial Runout with Bore :	-	-
Axial Runout with Raceway :	-	-
Width Variation :	0.025	0.025
Radial Runout :	0.020	0.035